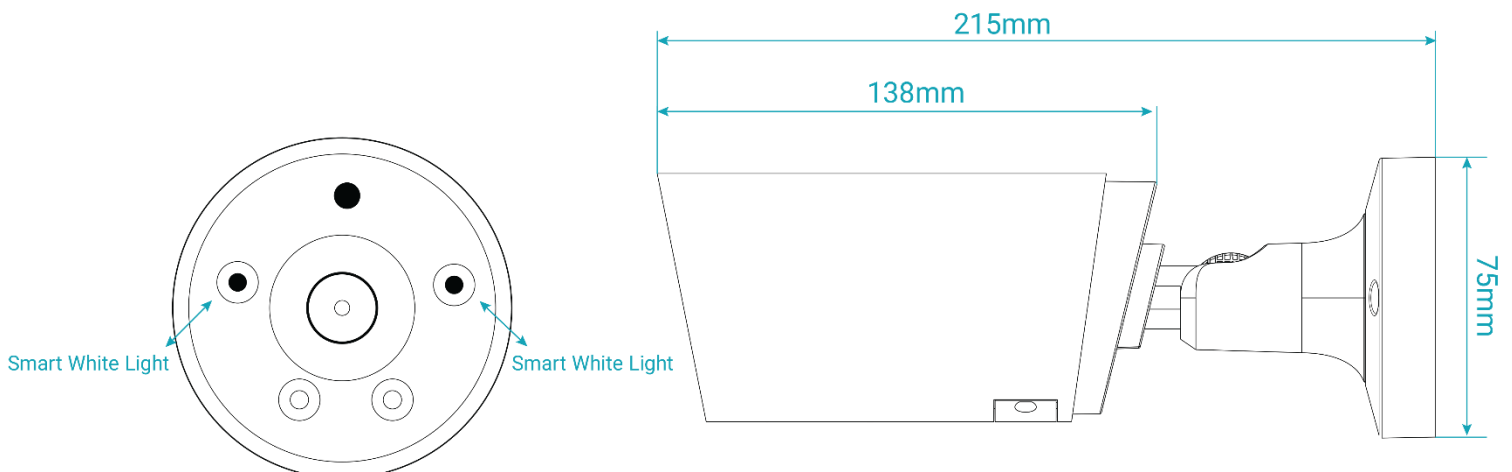


## GRIFFIN GF-IF56PRE60SH Network Camera

Fully-featured and smart, all-around 6MP surveillance



- resolution: 6 Megapixel - StarLight
- Image Sensor: 1/2.8" Progressive Scan SONY IMX415
- CPU: HiSilicon 3516AV300
- Frame Rate: 30fps@6MP, 30fps@5MP, 30fps@4MP, 90fps@1080P - Triple Streams
- Video Compression: H.264 / H.264+ / H.265 / H.265+, Smart Event Codec
- Lens: 3.6mm Fixed Lens
- Picture Function: 120db WDR, DWDR, 2D/3D-DNR, Defog, BLC, HLC, ROI
- Memory Slot: Micro SD (256Gb Max) - ANR Support
- Audio: Audio In, Audio Out
- Alarm: Alarm In, Alarm Out
- IR Distance: 40~50m Smart IR SMD Technology (Smart White light Technology)
- Compatibility: Onvif Ver2.6, Profile S
- Power Supply: 12V DC / PoE IEEE802.3af
- IP Rating: IP67, IK10, 6KV Surge Protection
- Intelligent Function: Line Crossing, Area Intrusion, Region Entrance, Region Exiting, Fast Moving, Loitering Detection, Blurred Detection, Audio exception Detection, Crossing Line Statistics, Face Detection, Human detection, Car shape Detection, Video Shelter, Motion Detection



Camera	Image Sensor	6MP Starlight - 1/2.8" Progressive Scan SONY IMX415
	DSP	HiSilicon 3516AV300
	Lens	3.6mm Fixed Lens
	Resolution	3200*1800 (6MP)
	Available IR Range	40~50m Smart IR SMD Technology (Smart White light Technology)
	D/N Filter	IR Cut Filter Switch (ICR)
	Min Illumination	Color: 0.001 Lux(AGC on) - B/W: 0.0 Lux(IR on)
	Angle of View	H-FOV: 108°, V-FOV: 58°, D-FOV: 126°
	StarLight View	Color /IR
Picture Adjust	Picture Function	120db WDR, DWDR, 2D/3D-DNR, Defog, BLC, HLC, ROI
	Shutter Speed	Manual (1/3 ~ 1/100.000), Auto
	Image Parameter Control	Off, On, Timing (Adjust 0 ~ 255)
	D/N Control	Timing, Auto, Color on, Color off
	Image Parameter	Saturation, Brightness, Contrast, Sharpness, Hue
Video Audio	Video Compression	H.264+(Ultra H.264), H.265+ (Ultra H.265), Smart Event Codec
	Audio Compression	G.711A, G.711U
	Frame Rate(60Hz)	30fps@6MP, 30fps@5MP, 30fps@4MP, 90fps@1080P
	Transmission Stream	Triple Stream (Code Rate: 11kb-16mb)
Network	Protocols	TCP/IP (V4,V6), ICMP, HTTP, HTTPS, FTP, DHCP, DNS, DDNS, RTP, RTSP, RTCP, NTP, IGMP, UPnP, SMTP, UPnP-TM, P2P, Bonjour, SNMP (V1, V2, V3), UDP, NAT, Multicast, RTMP
	Compatibility	Onvif Ver2.6, Profile S, CGI, SDK, API
	Max Users	10 Users
	Streaming Method	Unicast, Multicast
	Web Viewer	Internet Explorer
	Recording Software	Unlimited CMS/VMS 128CH Per Monitor
	Smart Device	IOS, Android Phone & Tablet
Function	Recording	FTP, NVR, CMS, NAS, SD Card, ANR
	Record Type	Manual, Motion Detection, Smart Detection, Schedule
	Alarm Triggers	All Intelligent Function
	Event Action	Email, PTZ, Snapshot, Recording, Buzzer, Pop up, Show Message, Smart Light
	Intelligent Function	Line Crossing, Area Intrusion, Region Entrance, Region Exiting, Fast Moving, Loitering Detection, Blurred Detection, Audio exception Detection, Crossing Line Statistics, Face Detection, Human detection, Car shape Detection, Video Shelter, Motion Detection
Interface	Network	RJ45(10/100mbps)
	Audio	Audio In, Audio Out
	Alarm	Alarm In, Alarm Out
	CVBS	N/A
	Power	PoE LAN, DC In
	Memory Slot	Micro SD (256Gb Max) - ANR Support
General	IP Rating	IP67, IK10, 6KV Surge Protection
	Power Supply	DC12V ± 10%
	POE Supply	IEEE802.3af - Max 10Watt
	Dimension	215*75 mm
	Weight	705 gr
	Operation Humidity	Max Up to 95%RH(Non Condensing)
	Operation Temp	-40°C ~ +70°C
	MTBF	100K hrs min. MIL-HDBK-217F (25°)