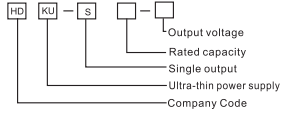


1. Features and Applications

HDKU-S series product is a enclosed switching power supply with single output. It has 30mm ultra-thin appearance design, which adopts new advanced technology, significantly reducing no-load power consumption, improving product efficiency within up to 90% efficiency. It can be widely used in communication, LED display, industrial control, radio and television, computer network, medical device, intelligent monitoring and other fields.

2. Product Model Definition



3. Working Conditions and Installations

3.1 Working conditions

Ambient temperature: -10 °C ~ +60 °C (refer to output derating curve of Fig. 1);
Ambient humidity: 20% - 90% RH without condensation.

3.2 Installation method

Select a suitable position for fixing, and confirm the screw length and torison during installation to ensure insulation and stability.

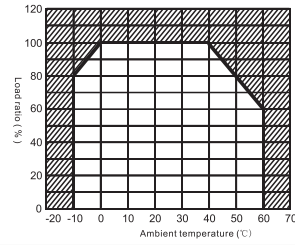
3.3 In order to extend the service life of the equipment, please pay full attention to the heat dissipation issue. The power supply shall be installed in the place where the surrounding air is convective.

It is recommended to install it on the metal plate.

The interval between two power supplies is recommended to be more than 20mm. Forced air cooling is recommended.

-1-

Fig.1 Derating curve



4. Working principle

Switching power supply is to control the switch tube through the circuit control for high-speed turn-on and turn-off, so as to generate the required one or several groups of voltages in the secondary of switching transformer.

5. Usage and precautions

5.1 Before using the product, see the wiring mark clearly to confirm whether the input voltage can match the requirements. The meaning of product wiring marking diagram is as follows: "L" phase line; "N" zero line; "⊕" ground line; "- V" negative voltage; "+ V" positive voltage; "COM" common output; "VADJ" Output voltage regulation.

Note: there are multiple terminals at the output end of the power supply for higher power, and the internal part of the terminal block is connected (equivalent to a power supply); it should be balanced in connection with loads.

5.2 In order to ensure safe use and interference decrease, the wires should meet the electrical requirements and they shall be grounded reliably during the installation..

-2-

5.3 High voltage exists in the machine, non-professional workers please do not open the shell, otherwise it may cause electric shock or damage to the product.

AC-DC Single output

Type	Power	Input	DC Output current(A)						Function	Outlet
			5V	12V	15V	24V	36V	48V		
HDKU-S35	35	F	7.0	3.0	2.4	1.5	1.0	0.8	A C K	F1
HDKU-S50	50	F	10	4.2	3.4	2.2	1.45	1.1	A C K	F1
HDKU-S75	75	F	15	6.0	5.0	3.2	2.1	1.6	A B C K	F2
HDKU-S100	100	F, S	18	8.5	7.0	4.5	2.8	2.3	A B C K	F3
HDKU-S150	150	F, S	22	12.5	10	6.5	4.3	3.3	A B C K	F4
HDKU-S200	200	S	40	17	14	8.8	5.9	4.4	A B C K	F5
HDKU-S350	350	S	60	29	23.2	14.8	9.7	7.3	A B C D K	F6

Remark 1: selection method for 85-132170-264VAC, F: full range; S: switching selection
Remark 2: function A: overload (overcurrent) short circuit protection; B: output overvoltage protection; C: over-temperature protection; D: automatic switch control of cooling fan (prolong service life); K: output LED display

5.4 Terminal Pin Definition

HDKU-S35-75

Pin No.	Pin Function	Pin No.	Pin Function
1	AC / L	4	DC OUTPUT - V
2	AC / N	5	DC OUTPUT - V
3	FG		

HDKU-S100-150

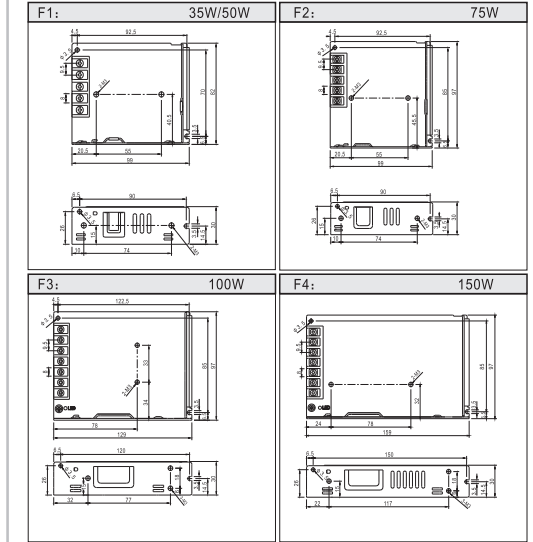
Pin No.	Pin Function	Pin No.	Pin Function
1	AC / L	4, 5	DC OUTPUT - V
2	AC / N	6, 7	DC OUTPUT - V
3	FG		

HDKU-S200-350

Pin No.	Pin Function	Pin No.	Pin Function
1	AC / L	4, 5, 6	DC OUTPUT - V
2	AC / N	7, 8, 9	DC OUTPUT - V
3	FG		

-3-

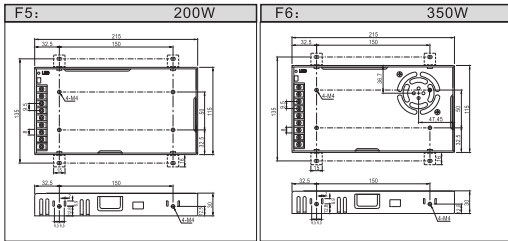
6. Outline and Structure



-4-

8. Troubleshooting

Fault Phenomenon	Potential Reason	Solution
No output or abnormal output	1.Short circuit on the load, or overloaded; 2.Open circuit on the input; 3.Temperature reach to the protection value.	1. Disconnect or decrease the load; 2. Check the input voltage; 3.Stop and cooling the switching power supply.
Fan doesn't work	1. Temperature does not reach to the protection value; 2.Foreign matters stuck.	1.No need to solve; 2.Clean the foreign matters.



7. Transportation and Storage

No severe collision and vibration during transportation and storage. Rain and snow immersion and direct sunlight are not allowed.

Storage temperature: -20 °C ~ +85 °C;

Humidity: 10% ~ 95% RH without condensation.

-5-

HIMEL

www.himel.com
Copyright@himel Co.,Ltd. Paper can be recycled
March.2020

HDKU-S Series
Ultra-thin Switch Power Supply

User Manual

Please carefully read the user manual before the installation and use of the products and then keep it properly as backup.

Himel
The Right Choice!

-6-