

HAZARDOUS LOCATION VALVES



Note: This valve also available as an operator. Refer to following page.

Series 20 >> Model E22

Hazardous Location – 2-Way Normally Closed Valve

Peter Paul explosion proof valves are used where fire or explosion hazards exist due to the presence of flammable gases or vapors, flammable liquids, combustible dust, or easily ignitable fibers. Hazardous Location valves are recommended, or in some cases compulsory, where a high level of protection from explosion is required.

- Heavy duty and made of stainless steel.
- A real workhorse with proven performance.
- It has the greatest amount of options available of all the valves.
- Wide range of orifice sizes from 1/32" to 1/4".

OPERATING CONDITIONS

Media: Air, water, and other fluids compatible with standard Buna seals. Hot water, steam gasoline, and many oils require special seal materials. (Series 20 pressure ratings may change due to the viscosity of the liquid.)*

Valve Temperature Range: Standard Valves - 0°F (-18°C) to 104°F (40°C) ambient; 0°F (-18°C) to 150°F (65°C) media. Optional Valves - can tolerate much higher or much lower ambient and media temperatures.*

Maximum Operating Pressure Differentials: See table on proceeding page.

Burst Pressure: 5000 PSI

Leakage: Bubble tight for standard valves.

Vacuum: To 5 Microns*

ELECTRICAL CHARACTERISTICS

Coil Voltage: 6 to 825V AC 60 HZ. and 5 to 720V AC 50 HZ. – 1.8 to 265V DC

Nominal Power: AC – 7.3 Watts DC – 9.5 Watts

Coil Construction: Molded Class F with third wire ground (Std.), Class H or Potted (Opt.)

Typical Response Time on Air: 4 - 16 Milliseconds

Operating Speed: Up to 600 CPM

Duty Cycle: Continuous

MECHANICAL CHARACTERISTICS

Body: Stainless Steel (Std.)

Internal Components: Stainless Steel

Elastomers: Nitrile (Buna) (Std.). Many other elastomers available.*

Orifice Diameter: See table on proceeding page.

Porting: 1/8" and 1/4" NPT (others ports available).

Housing: Flame-Proof construction with 1/2" NPT conduit

Listings: Valves are UL listed and CSA certified for Hazardous Locations – Class I, Div 1, Group C and D - Class II, Div 1, Group E, F, and G; Div 2 Groups A, B, C, D, E, F, and G.

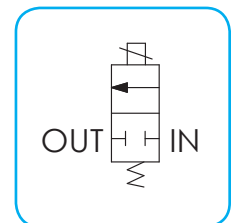
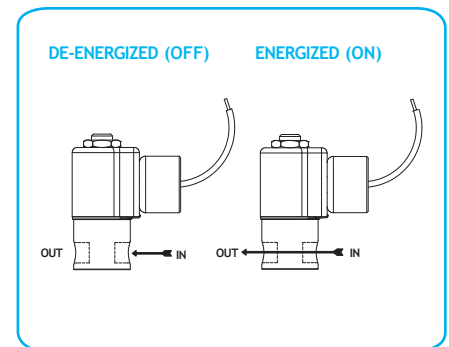
Life Expectancy: Millions of cycles, depending on application, lubrication, etc.

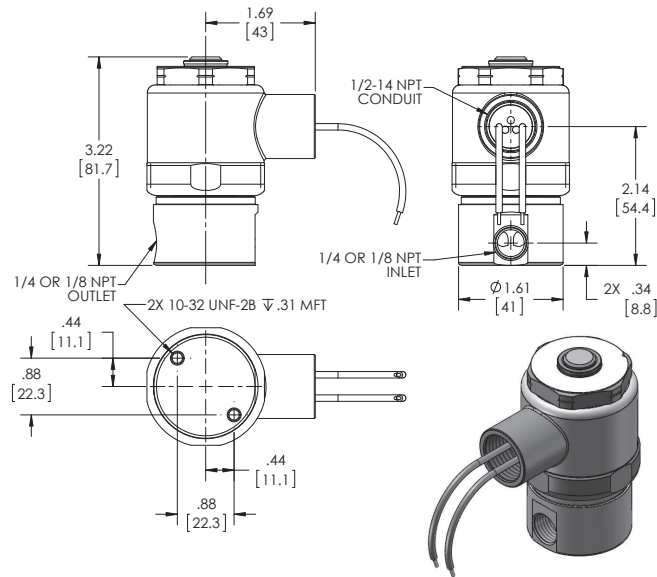
Valve Weight: 1.38 lbs

Repair Kits: See table on proceeding page.

Options: Alternate Port Locations, Metering, Manual Override, Alternate Elastomers*

* Consult representative or factory for options and specifications.





**SERIES 20
MODEL E22
2WNC
EXPLOSION PROOF**

VALVE SPECIFICATIONS

MAX. OPER. PRESS. DIFF. +		ORIFICE SIZE N.C.	CV FACTOR N.C.	VALVE NUMBER	
AC	DC			1/8 NPT PORTS	1/4 NPT PORTS
500	500	1/32	.024	E22G7DCCM	E22G9DCCM
250 (500)	250 (500)	3/64	.052	E22H7DCCM	E22H9DCCM
200 (400)	200 (400)	1/16	.095	E22J7DCCM	E22J9DCCM
125 (300)	125 (250)	3/32	.156	E22K7DCCM	E22K9DCCM
100 (200)	100 (200)	1/8	.284	E22N7DCCM	E22N9DCCM
75	50	5/32	.404	E22O7DCCM	E22O9DCCM
50	25	3/16	.500	E22P7DCCM	E22P9DCCM
20	5	1/4	.700	E22R7DCCM	E22R9DCCM

+ Ratings in brackets are optional extended ratings; consult factory.

ORDERING INFORMATION:

WHEN ORDERING VALVES OR REPAIR PACKS ADD VOLTAGE AND FREQUENCY TO COMPLETE VALVE NUMBER. EXAMPLES: VALVE (E22N9DCCM 120/60) REPAIR PACK (2KE22K AC)

WHEN ORDERING OPERATORS ADD THE LETTER "O" TO THE FRONT OF THE VALVE NUMBER, REPLACE BODY PORT NUMBER WITH THE LETTER "D": EXAMPLE: OPERATOR (OE22N9DCCM 120/60)