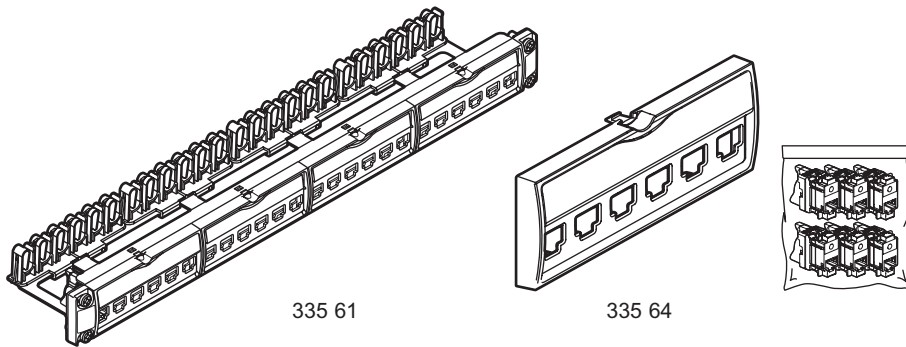


LCS2 Cat. 6 RJ 45 Patch panels and units

Cat. No(s): 335 61/62/63/64/65/66



CONTENTS	Page
1. General characteristics	1
2. Presentation	2
3. Installation	2
4. Technical characteristics	2
5. Connection	2
6. Overall dimensions	2
7. Usual connection of RJ 45 sockets	2
8. Standards and approvals	3
9. Performance	3

1. GENERAL CHARACTERISTICS

The patch panels are 19" and equipped with 4 patch units (24 x Cat. 6 RJ 45 sockets).

Cat. 6 units and panels are suitable for small commercial installations.

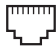
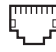
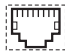
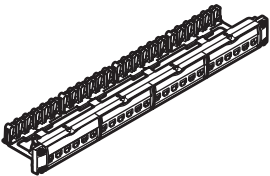
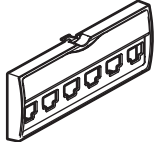
They are supplied with:

- 4 captive screws
- 4 universal cage nuts
- 1 label holder
- 6 sets of coloured labels, numbered from 1 to 24 (white, grey, red, blue, green, yellow).

They are supplied with a set of non-numbered coloured labels.

The panels offer automatic earthing of each connector with Legrand enclosures.

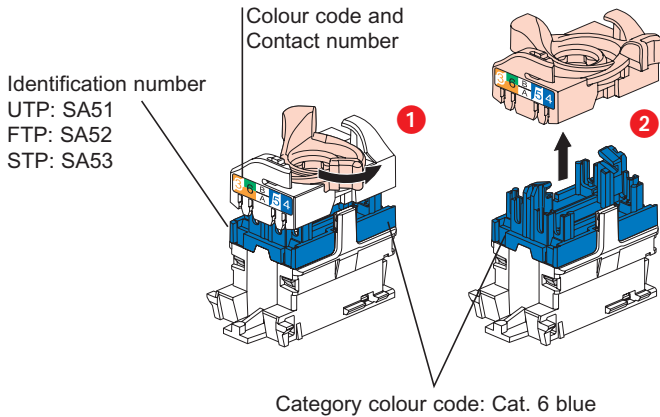
The RJ 45 connectors on the panels and units are identical, with suitable design and ergonomic features.

Designation	UTP	FTP	STP	Weight (g)
				
	24 x Cat. 6 UTP RJ 45 patch panel	335 61		760
	24 x Cat. 6 FTP RJ 45 patch panel		335 62	760
	24 x Cat. 6 STP RJ 45 patch panel			335 63
	6 x Cat. 6 UTP RJ 45 patch unit	335 64		75
	6 x Cat. 6 FTP RJ 45 patch unit		335 65	75
	6 x Cat. 6 STP RJ 45 patch unit			335 66

LCS2 Cat. 6 RJ 45 Patch panels and units

Cat. No(s).: 335 61/62/63/64/65/66

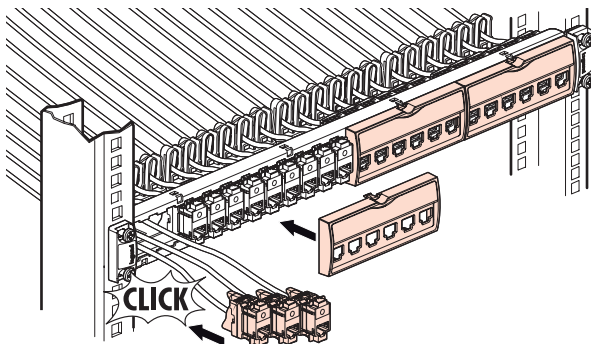
2. PRESENTATION



3. INSTALLATION

Connectors are attached without the need for specific tools.
- Each connector is clipped on individually through the front of the panel.
- The label holder casing is fixed over the 6 connectors to provide a perfect finish.

No need to attach using cable collars: cables are retained in the guides.



4. TECHNICAL CHARACTERISTICS

4.1 Material characteristics

Panel: DC01 galvanised steel sheet
Block: RAL 9005 polycarbonate
Connector:

- Contacts: gold/nickel, thickness of gold > 0.8 µm
- Metal parts: bronze, nickel, platinum, gold
- PBT polycarbonate

For STP products the body and the spreader are made of metal alloy with a copper-nickel coating.

STP connectors are fitted with a steel ring enabling a 360° Earth connection.

4.2 Electrical characteristics

Breakdown voltage ≥ 1000 V
Contact resistance ≤ 20 mΩ
Insulation resistance ≥ 500 MΩ at 100 V DC
Connector tested and guaranteed under PoE restrictions, IEEE 802.3 af and PoE+, draft standard 802.3 at, up to 2500 on-load connections/disconnections.

Tests are carried out with 2 simultaneous PoE+ circuits for a minimum total power of 50 W.

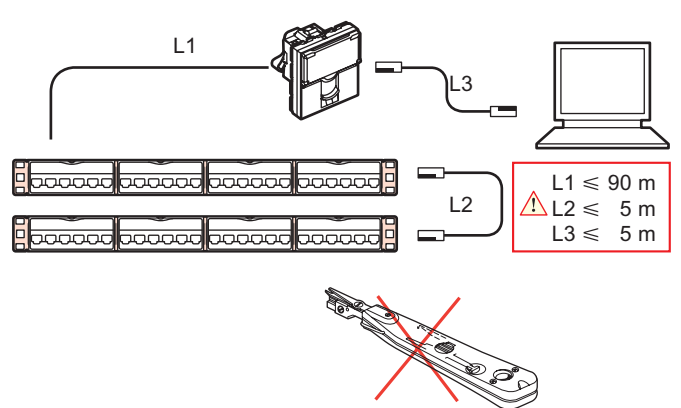
4.3 Mechanical characteristics

Max. number of connections and disconnections: 5 without refreshing the wiring.
Endurance: 2500 movements (plug insertion/withdrawal).
IK03

4.4 Climatic characteristics

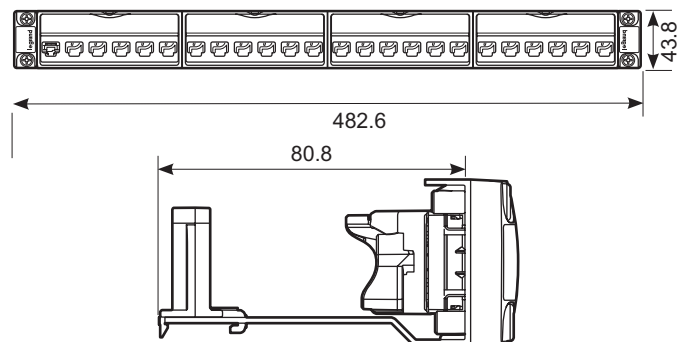
Operating temperature: - 40° C to + 70° C
Humid heat cycle 21 days

5. CONNECTION

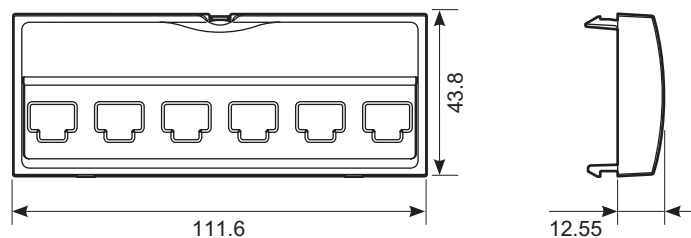


6. OVERALL DIMENSIONS

Patch panel Cat. No. 335 61/62/63



Patch unit Cat. No. 335 64/65/66



7. USUAL CONNECTION OF RJ 45s

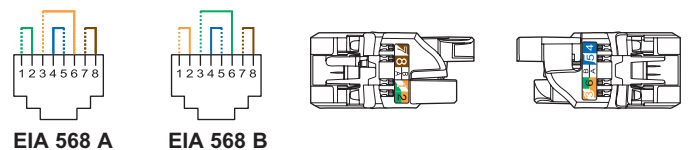
Accepts the following cable connectors:
RJ11 (4 contacts), RJ12 (6 contacts), RJ45 (9 contacts).

Double colour code EIA - TIA 568 A and B on terminals:

- UTP 8 contacts
- FTP 9 contacts
- STP 9 contacts 360° screen

Conductors supported:

- Single-wire: 0.5 to 0.65 mm, AWG 22 to 25
- Multiple-wire: AWG 26
- Polyethylene conductor insulation: Ø max with insulation 1.58 mm.

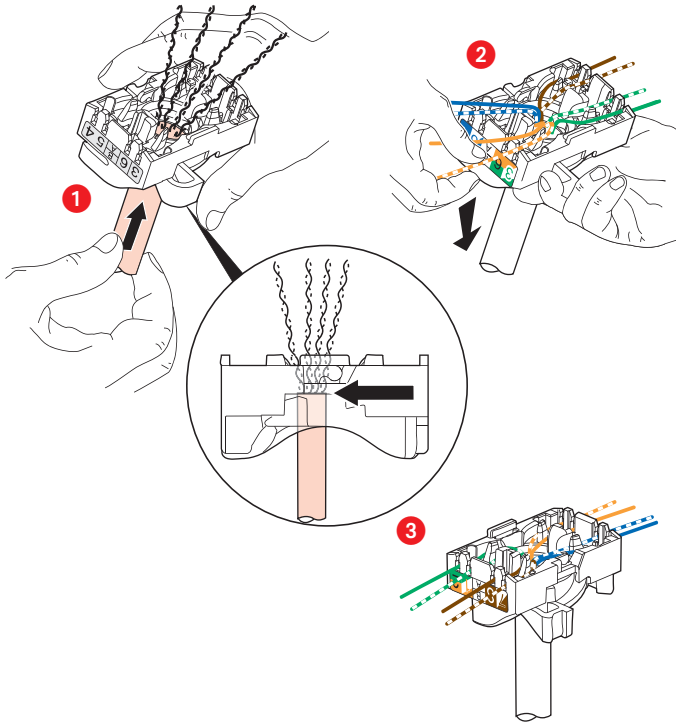


LCS2 Cat. 6 RJ 45 Patch panels and units

Cat. No(s): 335 61/62/63/64/65/66

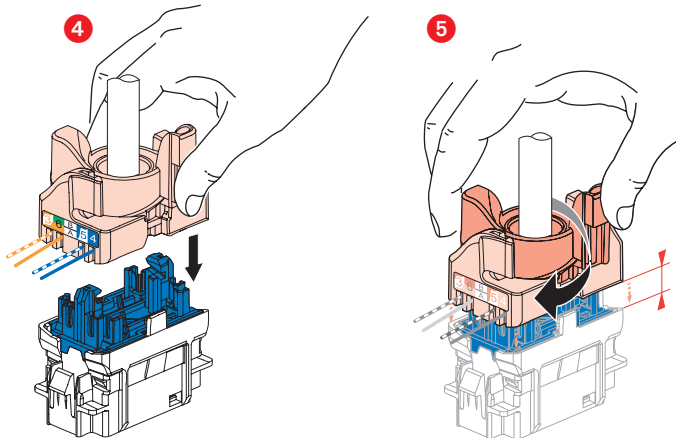
7. USUAL CONNECTION OF RJ 45s (cont.)

RJ 45 connectors are equipped with a locking nut that does not require the use of a specific tool and which enables re-cabling in the event of error.



Simultaneous connection of cable strands is ensured.

This system allows the wire pairs to be spread easily before mounting them on the connector.



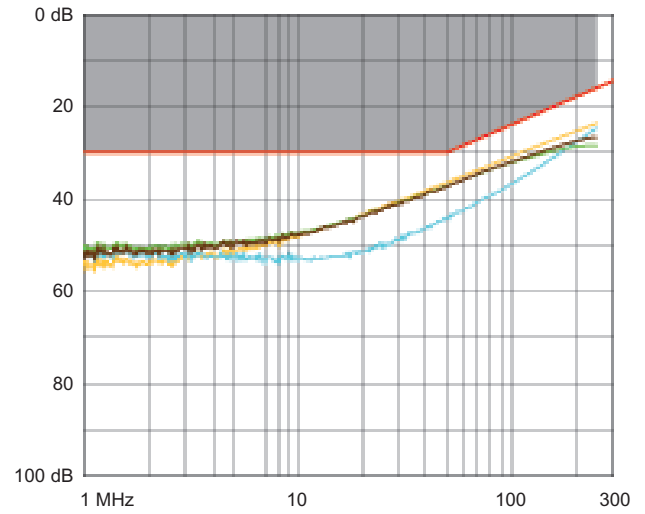
Spreading cables ensures that each pair is separated by the specified 13 mm.
Spreading pairs by 90° in relation to the cable ensures optimum performance.

8. STANDARDS AND APPROVALS

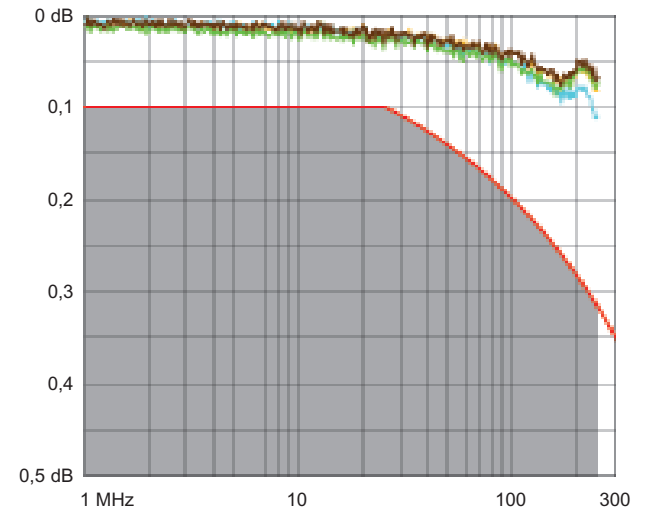
Compliant with standards: ISO/IEC 11801 Edition 2
CENELEC EN 50173-1 2007
ANSI/EIA/TIA 568-B.2-1
IEC series 60603-7

9. PERFORMANCES

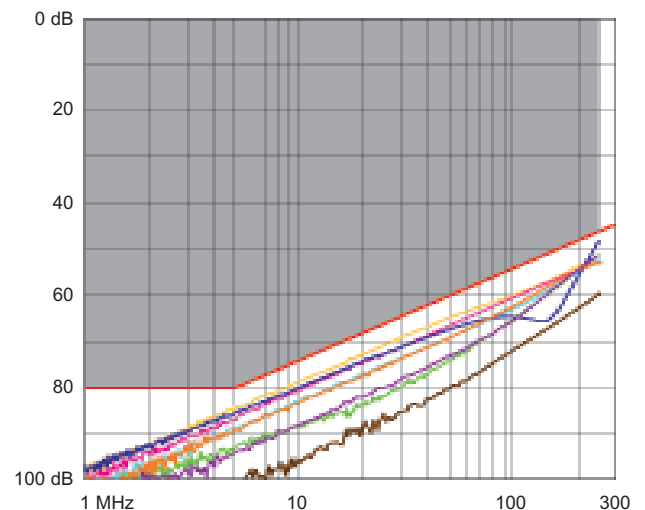
9.1 Component performance (RJ 45 connectors) Return loss



Attenuation



NEXT (Near end Crosstalk Attenuation)

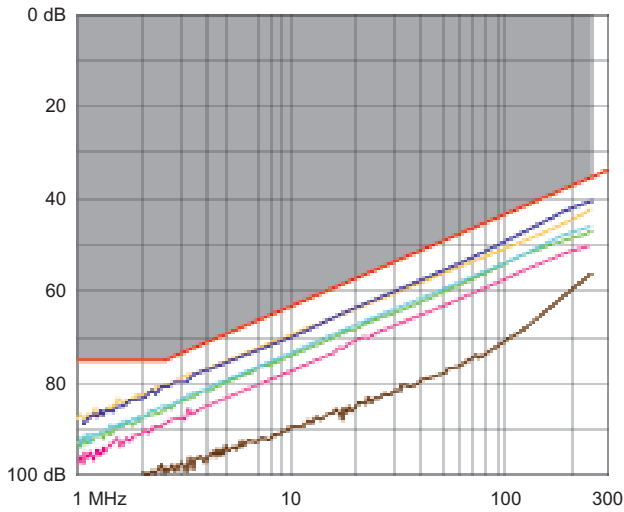


LCS2 Cat. 6 RJ 45 Patch panels and units

Cat. No(s).: 335 61/62/63/64/65/66

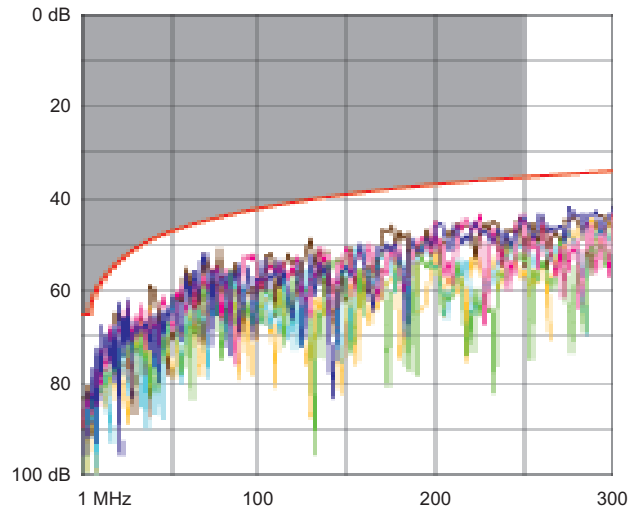
9. PERFORMANCES (cont.)

9.1 Component performance (connectors RJ 45) (cont.) FEXT (Far end Crosstalk Attenuation)

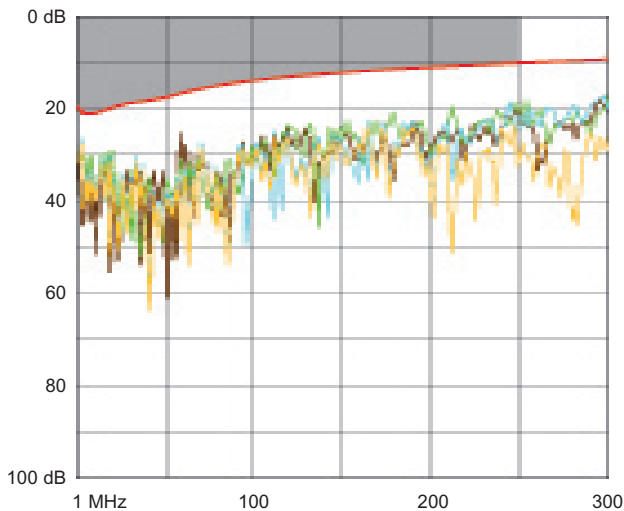


9. PERFORMANCES (cont.)

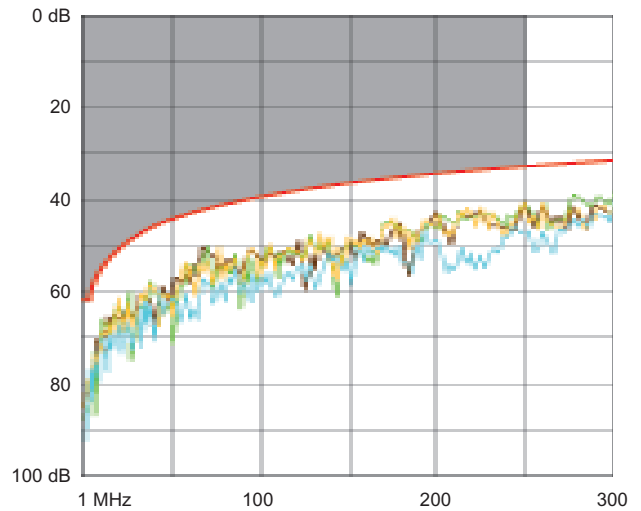
9.2 Performance of permanent link with F/UTP cable (cont.) NEXT (Near end Crosstalk Attenuation)



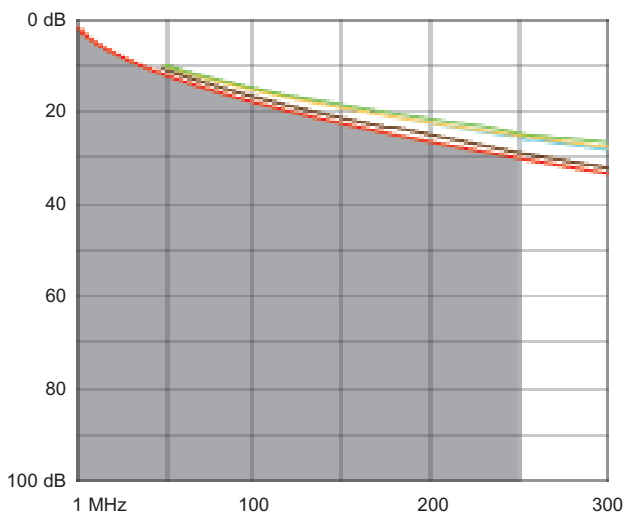
9.2 Performance of permanent link with F/UTP cable Return loss



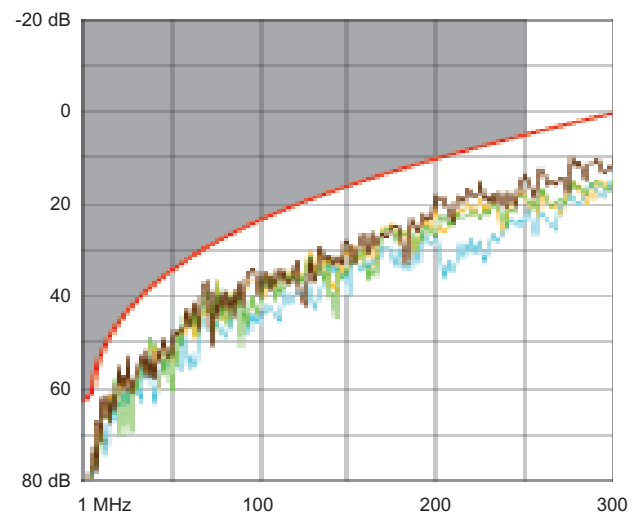
PS NEXT (Power Sum NEXT)



Attenuation

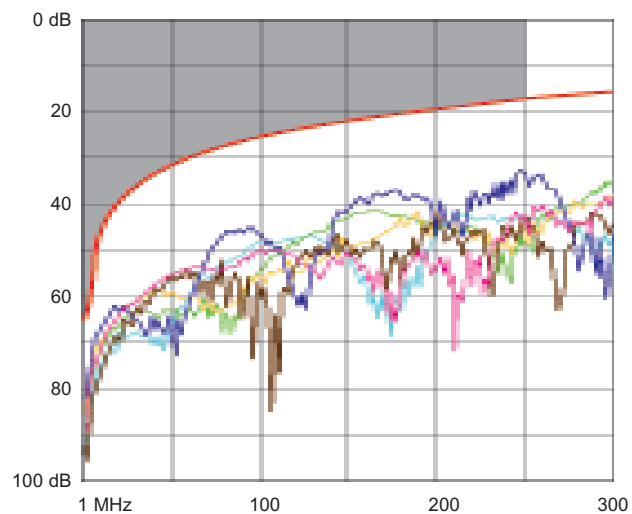


ACR (Attenuation to Crosstalk Ratio)



9. PERFORMANCES (cont.)

9.2 Performance of permanent link with F/UTP cable (cont.) ELFEXT (Equal Level End Crosstalk Attenuation)



Delay skew

